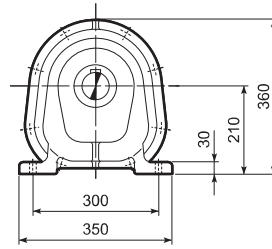
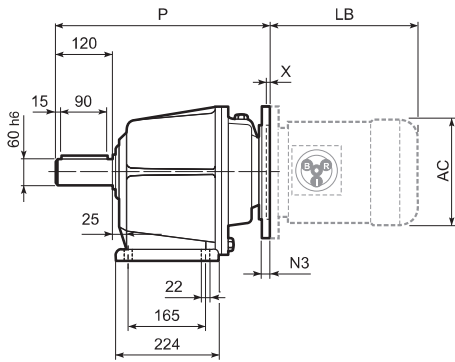
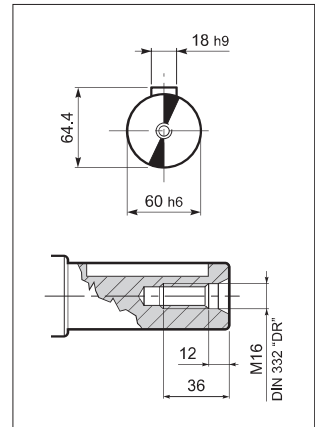


# AS 60...P(IEC)

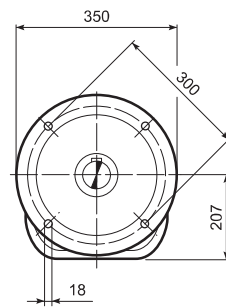
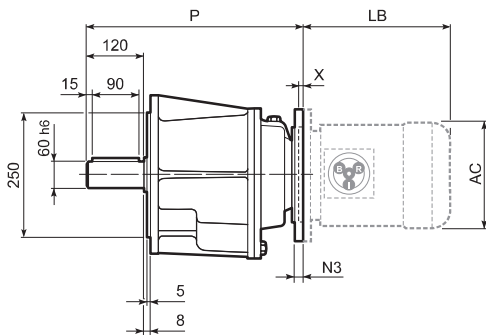
**P**  
**DP**



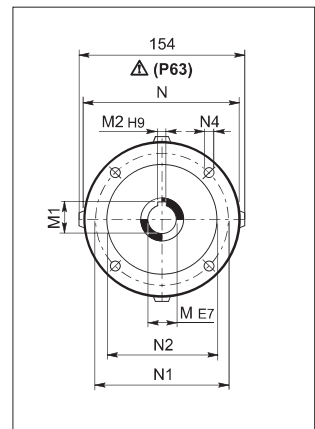
## OUTPUT



**F**  
**DF**



## INPUT



	AS 60												Kg	icl	BN...		BN...FD BN...FA	
	M	M1	M2	N	N1	N2	N3	N4	X	P					LB	AC	LB	AC
										...P	...F	...R						
<b>AS 60_132</b>	38	41.3	10	300	265	230	16	14	5	470	470	-	91	BN 132	413	258	523	258
<b>AS 60_160</b>	42	45.3	12	350	300	250	23	18	5	495	495	-	91	BN 160MR	452	258	562	258
														BN 160M/L	486	310	626	310
<b>AS 60_180</b>	48	51.8	14	350	300	250	23	18	6	495	495	-	91	BN 180M	530	310	670	310
														BN 180L	598	348	756	348
<b>AS 60 D_080</b>	19	21.8	6	200	165	130	-	M10x19	4	457	457	-	86	BN 80	234	156	306	156
<b>AS 60 D_090</b>	24	27.3	8	200	165	130	-	M10x20	4	457	457	-	86	BN 90	276	176	359	176
<b>AS 60 D_100</b>	28	31.3	8	250	215	180	-	M12x16	5	457	457	-	86	BN 100	307	195	398	195
<b>AS 60 D_112</b>	28	31.3	8	250	215	180	-	M12x16	5	457	457	-	86	BN 112	325	219	424	219
<b>AS 60 D_132</b>	38	41.3	10	300	265	230	16	14	5	477	477	-	86	BN 132	413	258	523	258