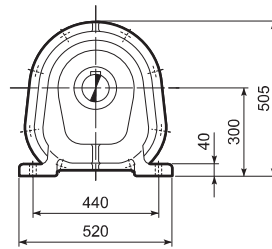
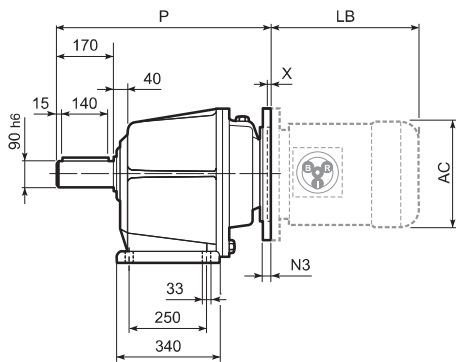
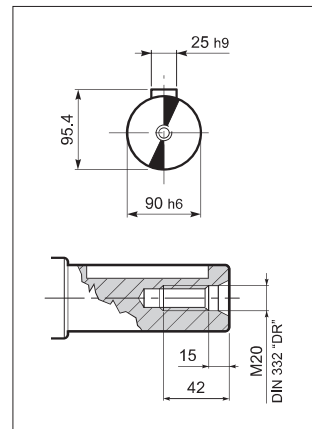


AS 90...P(IEC)

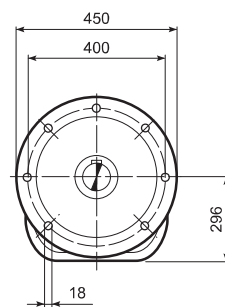
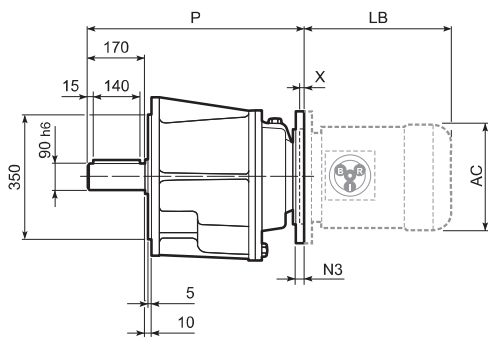
**P
DP**



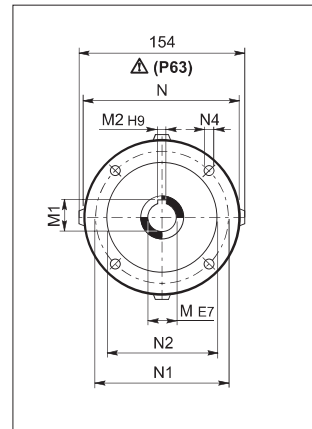
OUTPUT



**F
DF**



INPUT



	AS 90												Kg	IEC	BN...		BN...FD BN...FA	
	M	M1	M2	N	N1	N2	N3	N4	X	P					LB	AC	LB	AC

AS 90_180	48	51.8	14	350	300	250	23	18	6	685	685	-	239	BN 180M	530	310	670	310
														BN 180L	598	348	756	348
AS 90_200	55	59.3	16	400	350	300	-	M16x25	6	685	685	-	239	BN 200L	612	348	768	348
AS 90_225	60	64.4	18	450	400	350	25	18	6	710	710	-	239	-	-	-	-	-
AS 90 D_100	28	31.3	8	250	215	180	-	M12x16	5	664	664	-	232	BN 100	307	195	398	195
AS 90 D_112	28	31.3	8	250	215	180	-	M12x16	5	664	664	-	232	BN 112	325	219	424	219
AS 90 D_132	38	41.3	10	300	265	230	16	14	5	689	689	-	232	BN 132	413	258	523	258
AS 90 D_160	42	45.3	12	350	300	250	23	18	5	689	689	-	232	BN 160MR	452	258	562	258
														BN 160M/L	486	310	626	310
AS 90 D_180	48	51.8	14	350	300	250	23	18	5	689	689	-	232	BN 180M	530	310	670	310
														BN 180L	598	348	756	348