

Signify

Durabay Prime

HighLumen



Sisesh Behuray & Gaurav Yadav

April 2019

Professional Marketing

Contents

- Product Features and Benefits
- Product Applications
- Product Image
- Product Specification
- Product Designation
- Product Dimension
- Product Ordering Information



Features and Benefits



saves
70%



- Professional optical design provides precise light distribution: Narrow beam (60°/NB)/ Wide Beam (110°/WB) ; CRI 80 - Increases visibility and safety at night and ideal solution for high accurate light applications (Comfort lighting)
- Best system efficacy 10500lm/14000lm @ 130lm/W- High energy saving – 1:1 replacement of 250W HPI BU Lamp , 70% energy savings with respect to HID systems
- THD<10%, -Higher power factor, lower peak currents, and higher efficiency.
- Robust aluminum die-casting housing -Excellent thermal design assure the high quality in the whole life time
- Lifetime 50Khrs @L70B50; IP66; IK08; BIS approbations – Effectively prevent dusts & moisture from luminaire to assure the performance for long term
- Operating voltage of 140-270V with cut off and auto restart feature @325V, Phase to phase 440V protection for 8 hours

Precision optics

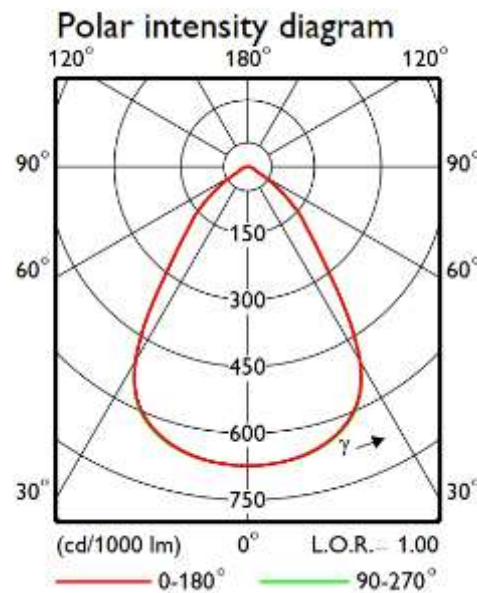
Lighting comfort improves productivity

Two types of optics to increase effective light and reduce energy consumption, meeting all types of requirements.

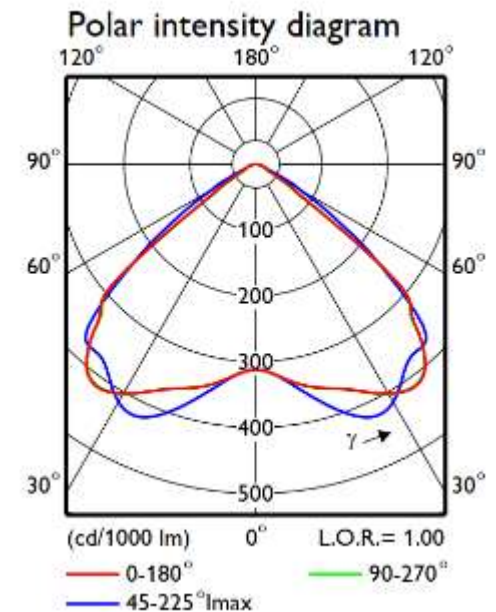


- High color rendering (CRI ≥ 80) highlights the real color and restores the natural experience
- Professional Lens structure to realize the accurate distribution of light, dramatically improved uniformity and lux level

- **Narrow beam**
- **FWHM 60°**
- **Rotational symmetry**
- **Centralized beam fit for high ceiling**

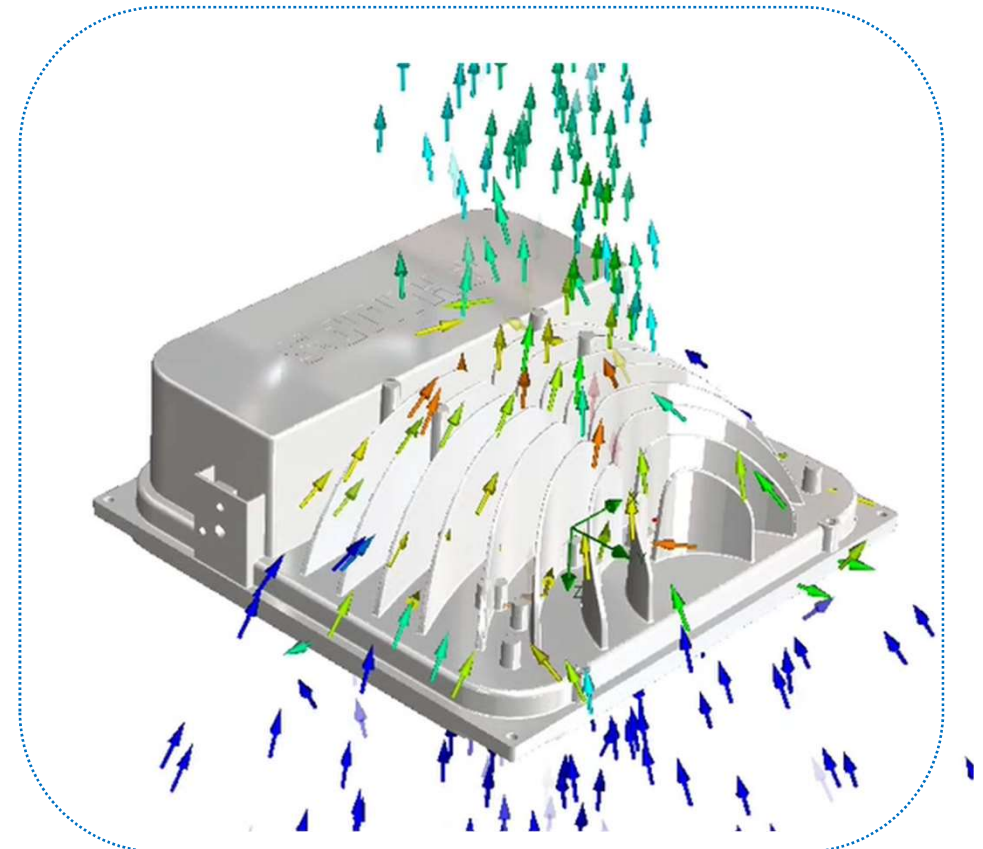
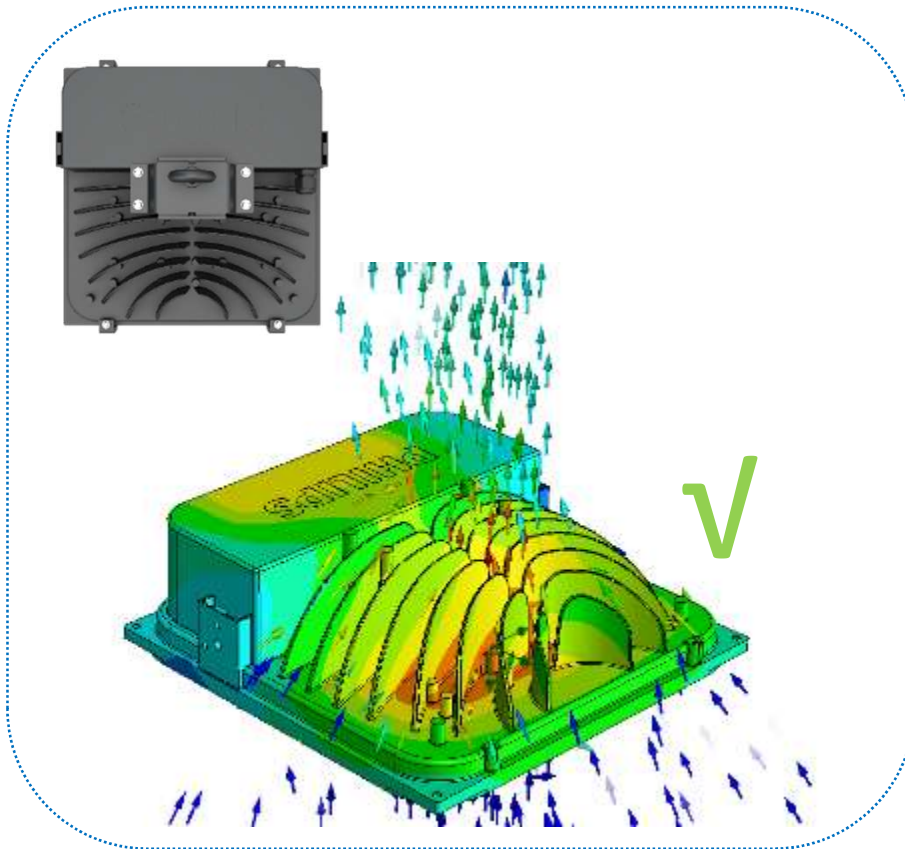


- **Wide beam**
- **FWHM 110°**
- **Rotational symmetry**
- **Fit for low ceiling and general lighting**



Better thermal design

- Unique fin design provides excellent heat dissipation hence enables a more thermal stability
- Pressure die-casting Aluminum heat sink offers excellent corrosion resistance and robustness while provides high IP Protection
- Stable operation between $-10^{\circ}\text{C} \sim +45^{\circ}\text{C}$, ensures the durable and reliable performance at $T_a 45^{\circ}\text{C}$



Highlights of the light design

Energy saving up to 70%

- System efficacy 130 lumens per watt
- 1 to 1 replacement for retrofit HPI-BU-250W Highbay

Comfort light experience

- Toughened glass with good uniformity
- No direct LED dots (Lens plate use for glare protection & precision optics)
- Accurate light, CRI \geq 80,

Long-lasting performance

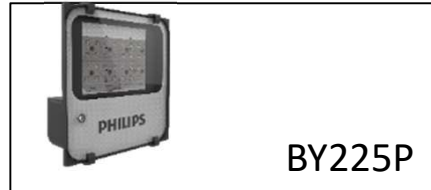
- Robust pressure die-cast aluminum housing
- Optimum fin design that offers excellent thermal dispersion to assure the long life time
- L70B50 50k hours @ Ta45°C
- Designed for operations under diverse environment from -10°C to 45°C

Usage flexibility

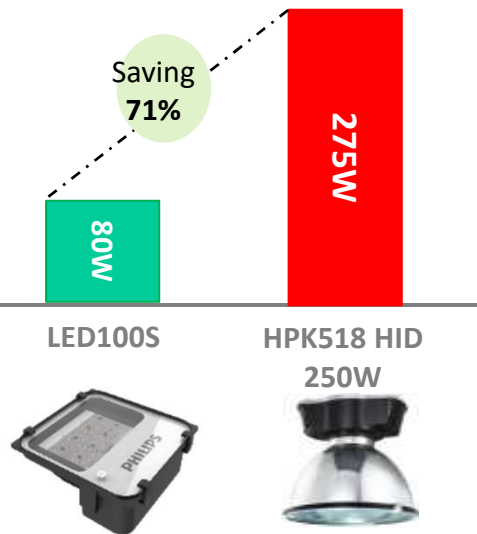
- Suits for Eyebolt Mounting
- Two options of optical, wide beam and narrow beam
- Compact form factor that makes this smaller and lighter than conventional luminaires, easy to handle



High energy saving



Lamp wattage	250 W	NA
System wattage	277 W	80W
Lamp Lumen Output	18000 lm	NA
Light Output Ratio (LOR)	60%	100%
System Lumen Output	10800 lm	10500 lm

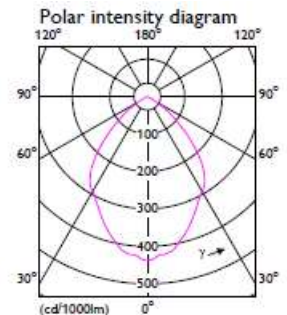


Total Energy Saving (almost same lux level ~195W per point)

>70%

Downward Light Output Ratio = DLOR

= Optical efficiency of the conventional luminaire in throwing the light downward compared to the lumens generated by the lamp inside the optical chamber.



Light output ratio 0.65
Service upward 0.00
Service downward 0.65

** For retrofit in existing plants, please validate the present lux level and decide the most optimum offering from Durabay Prime Family

Comfortable light



HPI 250W
CRI<70

BY225P 80W
CRI≥80

Safe and Reliable performance

Philips Xitanium® driver

- 4KV internal surge protection
- High Voltage cutoff & auto restart @320V
- Phase to phase 440V protection for 8 hours



Toughened Glass comes with IK08 protection



- High-efficiency LED module with CRI 80
- Specialized Lens plate comes with Narrow Beam/Wide Beam Optics

Optimum Fins design for excellent heat dissipation

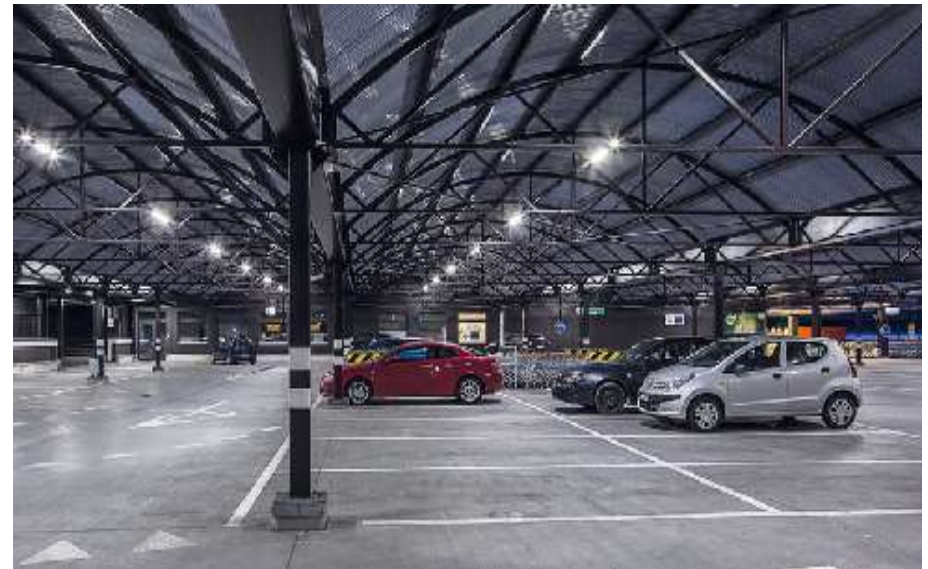


High-quality die-cast aluminum housing (Excellent corrosion resistance and robustness)

High-performance LED module, high-quality LED driver, professional mechanical structure assure the safety and reliability

Versatile Application areas

- Warehouse Sheds
- Low Ceiling Hangers – 8-10 meters
- Low Ceiling Applications
- Storage Areas
- Garages
- Small Manufacturing facilities



Product Images



Product Specification

Types	BY225P
Installation	Eyebolt
System Lumen	10500 lm/ 14000 lm
System Power	80W/ 105W
System efficacy	130 lm/W
CCT	CW (6500K)
CRI	CRI ≥ 80
Color consistency	SDCM < 5
Optical choice	NB (60°), WB(110°)
IP/IK rating	IP66/ IK08
Classification	Class I/ Class B
Power factor	≥ 0.95
Input Voltage	140-270V, 50Hz
Surge	L,N-GND 4KV
THD	<10%
Driver	Fixed; Dali (option)
Operation Temperature	-10°C to 45°C (Ta45°C)
Lifetime L70B50(hrs)	50,000hrs@Ta45°C
Material	Housing: Aluminum Die-casting Cover: Tempered glass of high transmittance Lens: PC
Dimensions	270mmX270mmX87mm
Weight	4 kgs
Certificate	BIS

Product designation

BY225P **LED**100S CW NB PSU FG GR V1

1 2 3 4 5 6 7 8

1 Product family code

2 System output

LED100S: 10500 lm

3 Color temperature

CW: 6500K

4 Optics

NB: Narrow Beam 60° / **WB**: Wide beam 110°

5 Controls

PSU: Fixed

6 Front Cover

FG: Toughened Extra clear glass

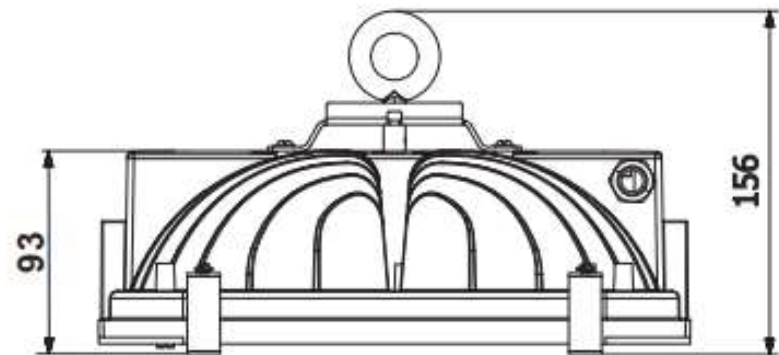
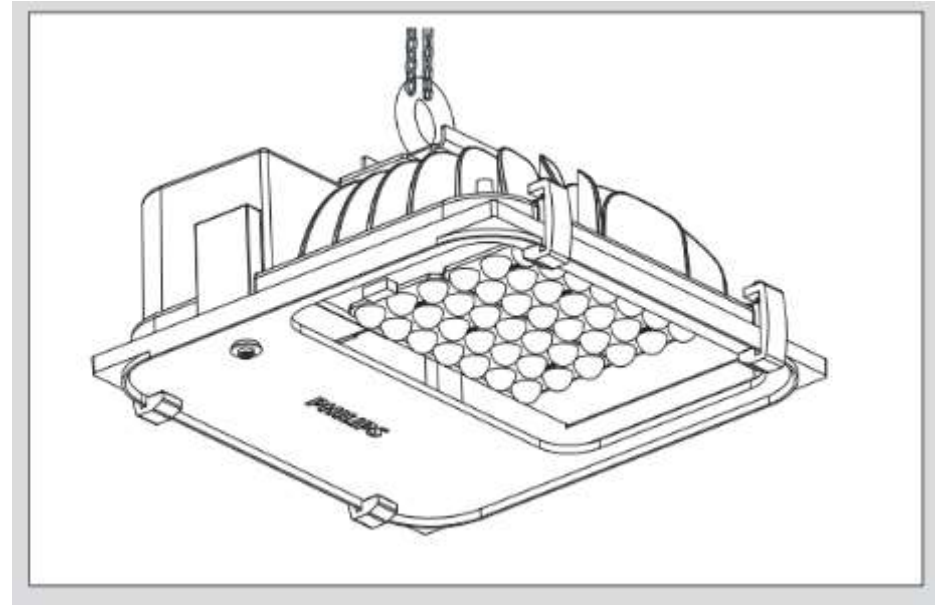
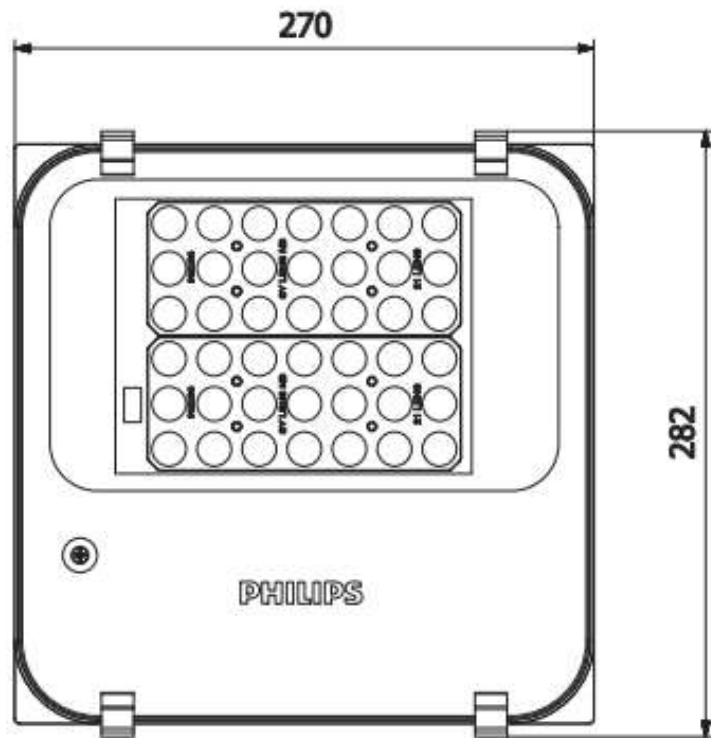
7 Luminaire Color

GR: Grey Color

8 Variant

V1: Version 1

Product dimension



Product order information

SL No.	12 NC	Description	Lumen	Spare Driver 12NC
1	9195 158 12901	BY225P LED100S CW NB PSU FG GR V1	10500	9290 014 78306
2	9195 158 12902	BY225P LED100S CW WB PSU FG GR V1	10500	9290 014 78306
3	9195 158 13031	BY225P LED135S CW NB PSU FG GR V1	14000	9290 014 78606
4	9195 158 13032	BY225P LED135S CW WB PSU FG GR V1	14000	9290 014 78606

**Dali dimmable options will be ready by May 2019.

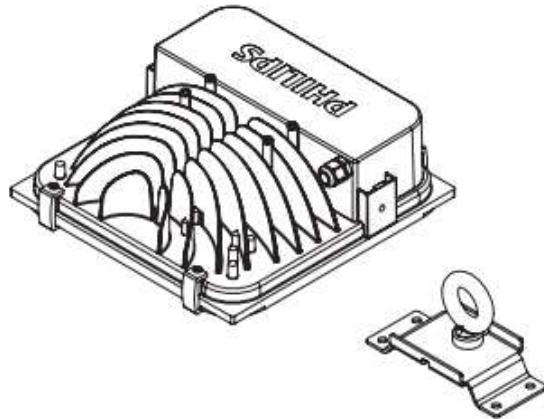
Spec. Comparison



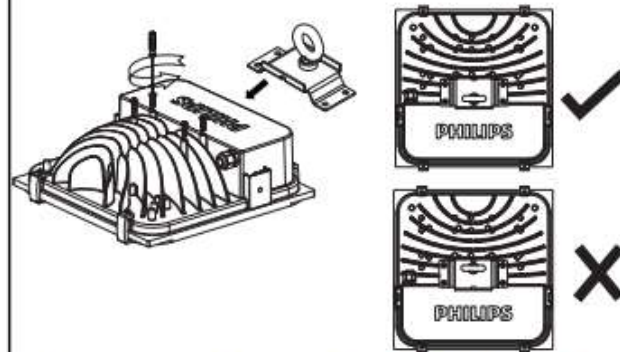
	Durabay(BY325P)	Durabay Prime (BY225P)
Installation	Eye bolt	Eye bolt
Lumen	10000 lm/13000lm	10500 lm/ 14000lm
Wattage	80W/105W	80W/105W
Efficacy	125lm/W	130 lm/W
Beam	WB;NB	WB; NB
Family	PSU	PSU
Color	Grey	Grey
Weight	6.5 Kg.	4.0 Kg.

Mounting Instructions

- 1 Take the luminaire out of the packing box.

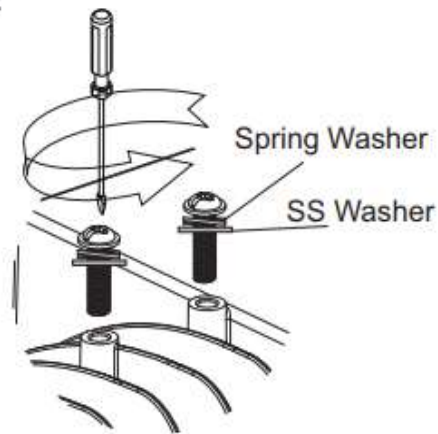


- 2 Open four screws of Housing assembly with screw driver and assemble mounting bracket assembly with Housing assembly.

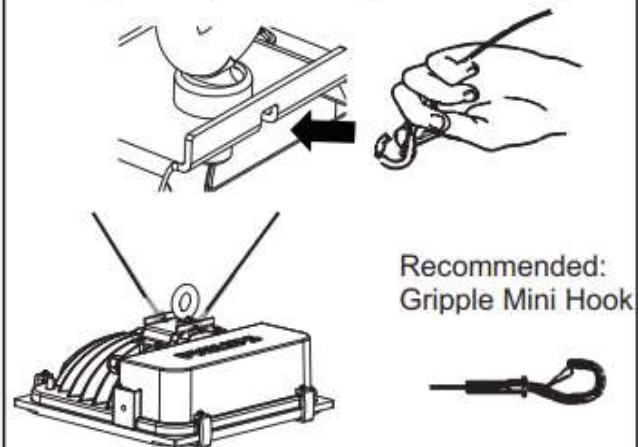


Note: Ensure the bracket is assembled in right direction for proper balancing

- 3 Follow the below mention sequence for assembly of Mounting bracket with four M5 screws, Spring washer and flat SS washer.

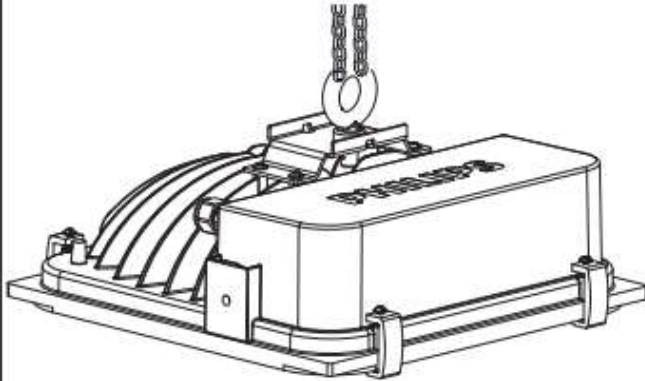


- 4 Hang the luminaire by 2 point suspension (recommended) for proper alignment (hooks not part of offering).

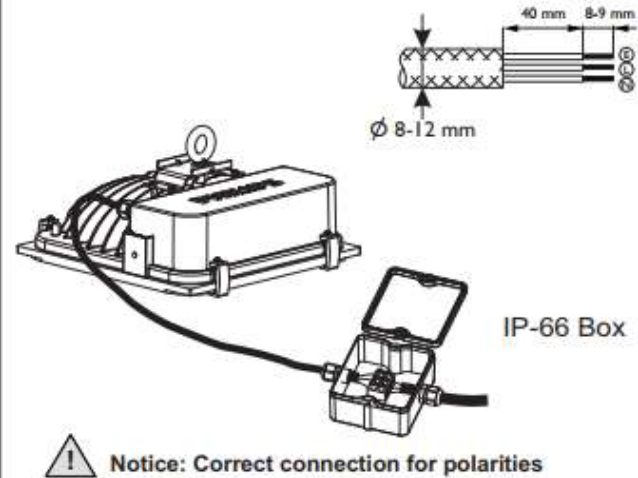


Mounting Instructions

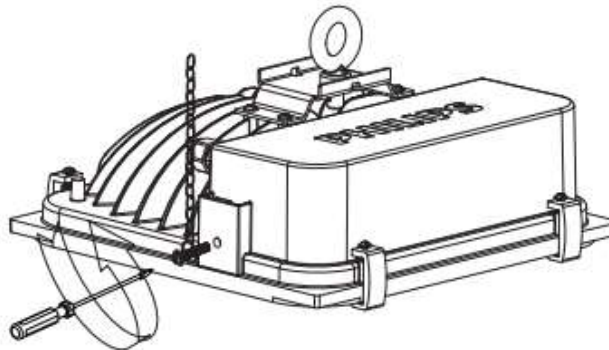
5 Hang luminaire by suitable means through Eye bolt.



6 For External wire connection use IP66 Box (not part of Luminaire)



7 For additional safety, use safety chain (not part of luminaire) with M6 screw



Signify